



**NIPROS™**

Solutions You Can Rely On

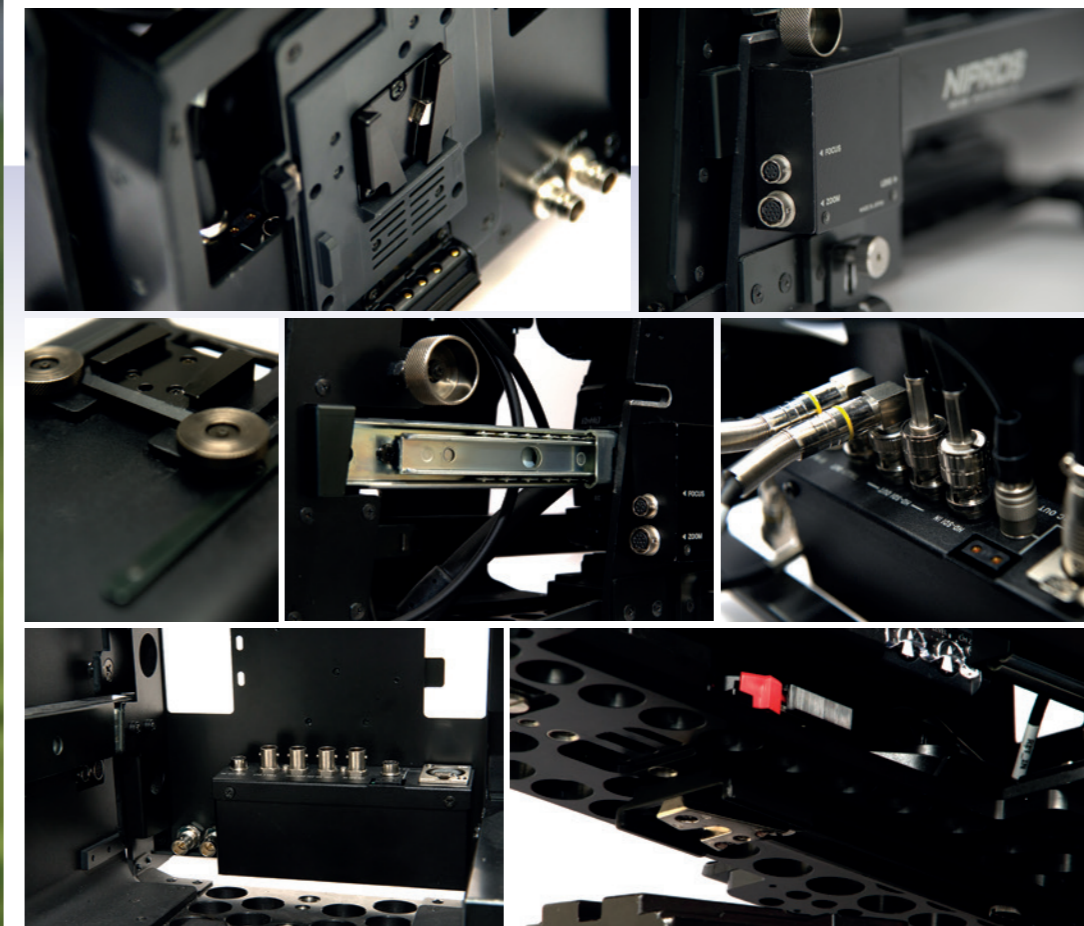
## Camera System Build-up Unit

### Key Features:

- SDI signal distribution
- Aluminium main body
- DC power supply for accessories
- Slide rail mechanism
- One touch fix and release
- Viewfinder shoe
- Lens control distribution box
- V-mount plate



**HDS-300**



### Specifications

|   |  |
|---|--|
| <b>Input</b>  |  |
| DC IN   | XLR 4P x 1<br>V-mount : Li-ion battery holder                            |
| HD-SDI IN   | BNC x 1  |
| IF IN (VF IN)   | 6P x 1 : TALLY IN  |
| ZOOM IN   | 12P x 1  |
| FOCUS IN  | 6P x 1   |
| <b>Output</b>   |  |
| DC OUT  | XLR 4P (Female) x 1<br>CAMTAP x 1<br>MINI 4P (female) x 1 : 14.1V & 8.4V |
| HD-SDI OUT  | BNC x 2  |
| TALLY OUT   | BNC x 1 : ON/OFF   |
| CONTROL OUT   | 12P x 1 : ZOOM / FOCUS IRIS  |
| RET OUT   | 4P x 1 : RET   |
| ZOOM LENS OUT   | 8P x 1   |
| <b>General</b>  |  |
| Power Supply  | 12 V DC (10-18V) approx. 0.8W  |
| Outside Dimensions  | approx. 287 x 258 x 507 mm (main body) (WxHxD)                           |
| Weight  | approx. 5.3 kg (main body)   |
| Operating Temperature   | 0°C to 40°C  |
| Storage Temperature   | -20°C to 60°C  |
| <b>Accessories</b>  |  |
| BNC Cable x 2 / CONT 1 Cable (Focus IRIS / ZOOM) / CONT 2 Cable (RET IN)<br>Camera screw 1/4 inch x 2 / 3/8 inch x 2 / Operating Instructions |  |





### AS-1 Zoom Controller

for all cameras\*



### RM-C1 Lens Remote Control Box

with assign buttons\* for Sony/Canon Cameras



### FR-S10 Focus Controller

for Sony Cameras\*



\*Canon C100/300/500

### RM-S1 Lens Remote Control Box

for Sony/Canon Handheld Cameras



### RM-P250 Lens Remote Control Box

for Panasonic Handheld Cameras



### FR-P1 Focus and Iris Controller

for Panasonic Cameras\*\*



### AS-1P Zoom Controller

for Panasonic Cameras



\*Depending on Camera Lens

\*For Sony PMW-300K1/K2, 320K, 400K, EX-3, F3 and F5  
\*\*For Panasonic Handheld Camcorders

## Shoulder Adapters / Conversion Kits for Handheld Camcorders

### ST-7S300\*



### ST-7J



### Key Features:

- 3 BNC Connectors
- XLR-4pin Input
- XLR-4pin and D-Tap Outputs
- V-Mount Battery Shoe
- Soft Shoulder Pad



### ST-7



### Compatibility Chart

| Model No. | Shoulder Adaptor | Power Supply Cable |
|-----------|------------------|--------------------|
| SONY      |                  |                    |
| HVR-Z5    | ST-7J            | DC-Z7J             |
| HVR-Z7    | ST-7J            | DC-Z7J             |
| HXR-NX5   | ST-7J            | DC-Z7J             |
| PMW-100   | ST-7J            | DC-EX3             |
| PMW-160   | ST-7J            | DC-EX3             |
| PMW-200   | ST-7J            | DC-EX3             |
| PMW-EX1   | ST-7             | DC-EX3             |
| PMW-EX3   | ST-7             | DC-EX3             |
| PMW-300   | ST-7S300         | DC-EX3 (supplied)  |
| Panasonic |                  |                    |
| AG-HMC150 | ST-7J            | DC-P155            |
| AG-AC120  | ST-7J            | DC-P155            |
| AG-AC130  | ST-7J            | DC-P155            |
| AG-AC160  | ST-7J            | DC-P155            |
| AG-HPX170 | ST-7J            | DC-P175            |
| AG-HPX250 | ST-7J            | DC-P175            |
| AG-HPX255 | ST-7J            | DC-P175            |
| AJ-PX270  | ST-7J            | DC-P175            |
| Canon     |                  |                    |
| XF100/105 | ST-7J            | DC-XH1             |
| XF300/305 | ST-7J            | DC-XH1             |
| JVC       |                  |                    |
| GY-HM600  | ST-7J            | DC-JVC1            |

NIPROS ST-7S300 Studio System Items\*:

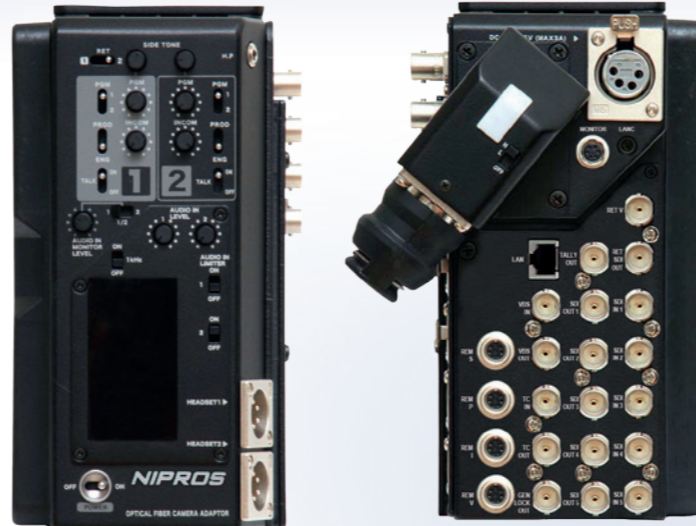


|   |  |  |  |
|---|--|--|--|
| <br>ST-7S300<br>Shoulder Adapter /<br>Conversion Kit                                    | <br>FR-S10<br>Focus Controller                               | <br>AS-1<br>Zoom Controller                          | <br>ASC-1B<br>Remote Cable for<br>Monitor Connection |
| <br>PS-470RHD/I<br>Optical Fiber<br>Camera Adapter                                     | <br>PS-570RHD/I<br>Optical Fiber Base Station               | <br>TC-550<br>Tally Cable                           | <br>RCC-450S<br>Remote Control Cable                |
| <br>DL-400<br>Intercom Headset<br>(Single Ear Pad Type)                                | <br>VST-14<br>Tripod Adaptor                                | <br>ALC-100M<br>100m Optical Fiber Cable            | <br>CAN-50<br>DC Power Supply Cable                 |
| (1)<br>(2)<br>(3)<br><br>HDF-700SK<br>7" HD Viewfinder KIT | (1)<br><br>HDF-700<br>7" HD Viewfinder | (2)<br><br>SK-700<br>Studio Kit for<br>HDF-700/700V | (3)<br><br>QM-3<br>Quick Mount Attachment           |

\*Sony PMW-300 Camcorder  
Sony CBK-DCB01 Demand Interface Unit  
Sony RM-B170 Remote Controller

4K Optical Fiber Transmission System

LS-750



- 4K
- 3G-SDI HD/SD-SDI
- 3D
- GENLOCK
- INTERCOM
- RETURN
- TALLY
- 60W Power Supply\*
- DC 12V x1  
DC 15V x1  
Output
- Signal Error Detection
- Time Code Sync
- LANC Connector
- Camera Remote Control
- LAN IP Function
- Signal Check Function

Key Features:

5x Down Streams & 1x Up Stream of 3G/HD/SD-SDI  
4K + HD or 5x Camera Signal (3G/HD/SD independent mixing)  
Active Loop Through Output for each 3G-SDI input of LS-750  
LAN IP communication function (100Base-TX)  
Up to 2 km transmission with power supply  
Camera remote control function\*\*  
Signal type indicator



LS-850



Dual Link 3G-SDI Optical Fiber Transmission System

LS-700



Key Features:  
2 Ch. 3G/HD/SD-SDI input & output  
Up to 2 km transmission with power supply  
Camera remote control function !  
Signal type indicator

- 4K !!
- 3G-SDI HD/SD-SDI
- 3D
- GENLOCK
- INTERCOM
- RETURN
- TALLY
- 60W Power Supply\*
- DC 15V Output x2
- Signal Error Detection
- Time Code Sync
- LANC Connector
- Camera Remote Control
- LAN IP Function
- Signal Check Function



LS-800



! Sony or Panasonic Cameras  
!! 4K for Canon RAW (2xBNC)



\*Max. 75W capability  
\*\*Sony, Panasonic, Ikegami & Canon Cameras



# Optical Fiber Transmission System

# HD/SD-SDI Multi Core Transmission System

**PS-570RHD/1 Base Station**  
**PS-470RHD/1 Shoulder Camera Adaptor**  
**PS-270RHD/1 Handy Camera Adaptor**

**PS-470RHD/1**



**ES-500**



**ES-600/600P\* Base Station**  
**ES-500/500P\* Shoulder Camera Adapter**  
**ES-300/300P\* Handy Camera Adapter**



**Key Features:**  
 26 pin hybrid multicore cable  
 HD/SD-SDI program signal transmission  
 HD/SD-SDI return signal transmission  
 Camera remote control function

**Key Features:**  
 Up to 2 km transmission with power supply  
 Camera remote control function\*  
 HD/SD-SDI Multi camera system  
 Real time system monitoring  
 V-mount battery plate  
 Signal type indicator

**PS-270RHD/1**



**ES-300**



**PS-570RHD/1**



- HD/SD-SDI
- RETURN
- TALLY
- GENLOCK
- INTERCOM
- LANC Connector
- 70W Power Supply
- DC 12V Output
- DC 8.4V Output
- VU/Peak Meter
- Time Code Sync
- Camera Remote Control

- HD/SD-SDI
- RETURN
- TALLY
- GENLOCK
- INTERCOM
- LANC Connector\*
- 50W Power Supply
- DC 12V Output
- DC 8.4V Output
- VU/Peak Meter
- Time Code Sync
- Composite Input
- HD/SD Component Input
- Camera Remote Control

**ES-600**



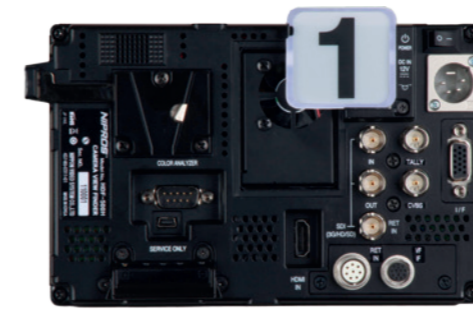
\*Sony and Panasonic Cameras

\*ES300/ES-500/ES-600 are for Sony Camcorders  
 \*ES300P/ES-500P/ES-600P are for Panasonic Camcorders



HDF-500

### HDF-500



### HDF Series Viewfinders/Monitors

**Key Features:**  
 5" HD Viewfinder/Monitor  
 Switchable Camera/Return HD-SDI picture  
 Picture in Picture  
 Built-in Tally Indicator

|                           |                    |              |                |                 |                        |
|---------------------------|--------------------|--------------|----------------|-----------------|------------------------|
| HD/SD-SDI                 | HDMI               | HD Component | VBS            | SDI Return      | 24P Input              |
| Full Measurement Function | Multiview          | SDI Error    | Zebra Function | Marker          | Clear Peaking Function |
| Embedded Audio OUT        | 16 Ch. Audio Meter | TC Display   | P in P         | B/W RGB         | Return Remote SW       |
| Full HD*                  | Large TALLY        | R/G TALLY    | Low Reflection | V-Mount Battery |                        |

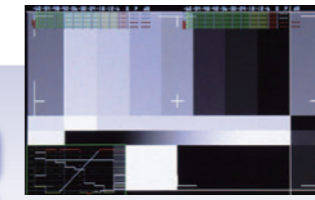
\*HDF-HR500 has Full HD display



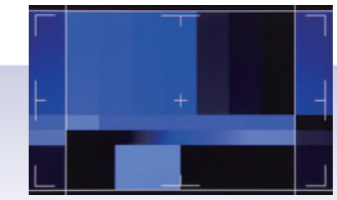
Clear Peaking Function

|                           |                    |              |                |                  |                        |
|---------------------------|--------------------|--------------|----------------|------------------|------------------------|
| HD/SD-SDI                 | HDMI               | HD Component | VBS            | SDI Return       | 24P Input              |
| Full Measurement Function | Multiview          | SDI Error    | Zebra Function | Marker           | Clear Peaking Function |
| Embedded Audio OUT        | 16 Ch. Audio Meter | TC Display   | P in P         | B/W RGB          | Return Remote SW       |
| Full HD                   | Large TALLY        | R/G TALLY    | Low Reflection | V-Mount Battery* |                        |

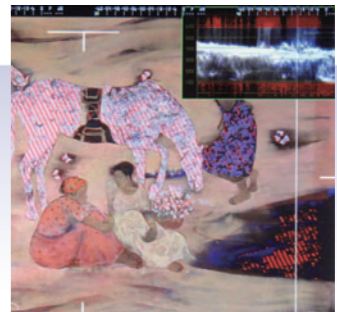
\*HDF-700V has V-mount battery plate



Monochrome Mode



Blue Only Mode



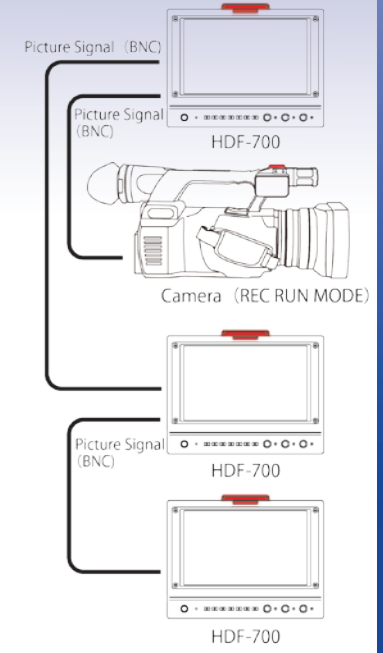
Advanced Zebra Function

**Key Features:**  
 7" Viewfinder/Monitor  
 Built-in Tally Indicator  
 Switchable Camera/Return HD-SDI picture

### HDF-700



### HDF-700V



TC Tally Function  
 Cascade tally connection with BNC cable

## Other Viewfinders/Monitors

## LVM-89W 8.9"



## HDM-1800W 18"



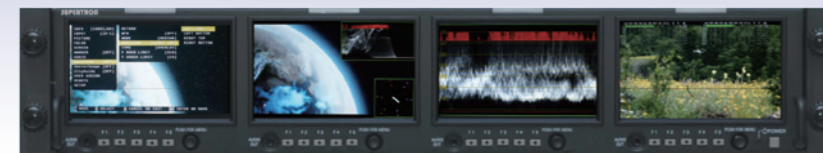
## HDM-2400W 24"



## HDM-3200W 32"



## HDM-4000 4.3"



## HDM-2000 7"



## HDM-3000 5"



## HDM-70SP 7"



## BNC Wired Intercom System

## Key Features:

- BNC wiring
- Up to 10 units cascade/star connection
- Up to 2km cable distance
- 200 hours continuous usage with 2x AA batteries
- Individual audio control
- Tally light indication
- Built-in equalizer

## FD-400A



## FD-400AN

Belt pack only



## FD-900S



## TU-10A

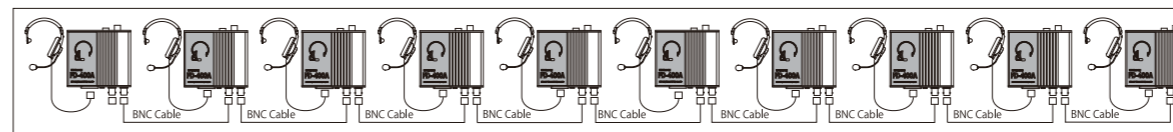


Tally Unit\*  
\*Option for Multi Camera System

## Key Features:

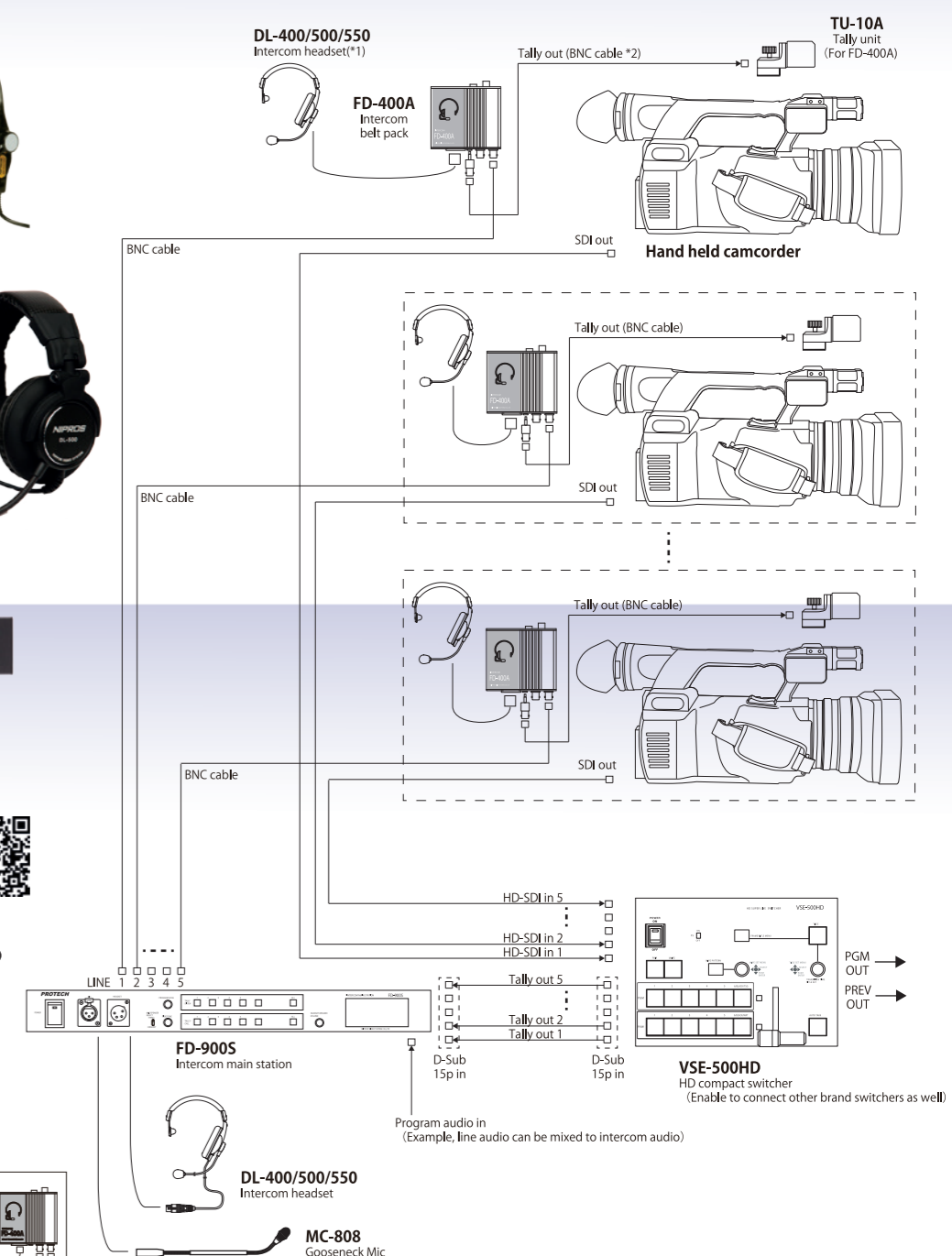
- BNC wiring
- 5 groups communication
- Up to 8 units of FD-400A for each group
- Call & talk for all groups/each group
- Tally output to each group
- Power supply for each FD-400A
- PGM audio mixing

## FD-400A System Chart



Max. 10 units of FD-400A can be chained with Max. 2 km BNC cable length in total.

## FD-400A/900S + VSE-500HD System chart





### 4 Channel Audio Field Mixer

**FS-40X**



- 6.3Φ Connector
- 4 Channel Inputs
- Parametric Equalizer
- Monoaural Direct Output
- 3.5Φ Connector
- MS Decoder
- PFL Function
- VU/Peak Meter
- XLR-4pin DC 12V IN
- Stereo Recording
- Peak Indicator
- RCA Out
- AA Battery
- 1Khz Oscillator
- Battery Indicator
- Phantom P48/AB12

**Key Features:**

Master Limiter for output channel  
 Variable low cut filter  
 Equalizer for each input channel  
 Independent Hyper Limiter for each input channel



### 4 Channel Audio Level Meter

**MB-40X**



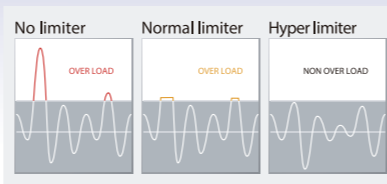
### 3 Channel Audio Field Mixer

**FS-302P**



- 6.3Φ Connector
- 3 Channel Inputs
- Parametric Equalizer
- Monoaural Direct Output
- 3.5Φ Connector
- MS Decoder
- PFL Function
- VU/Peak Meter
- XLR-4pin DC 12V IN
- Stereo Recording
- Peak Indicator
- RCA Out
- Phantom P48/AB12
- AA Battery
- 1Khz Oscillator
- Battery Indicator

### FS-205 Hyper Audio Limiter



**Key Features:**

Distortion protection over 30dB  
 1 input 2 outputs  
 or  
 2 inputs 2 outputs selection

- VU/Peak Meter
- Phantom P48
- 1Khz Oscillator
- 3.5 Φ Connector
- Peak Indicator
- RCA Out



### HD Digital Live Switcher



- 6 HD-SDI Inputs
- SDI Signal Equalizer
- Border ON/OFF
- Tally OUT
- Title IN
- Black & White Mat
- REC PGM OUT x4
- SYNC OUT x6
- Monitor OUT x5
- Direct Cut
- Overlap
- Auto Take
- AC & DC Operation
- 13 Patterns

**Key Features:**

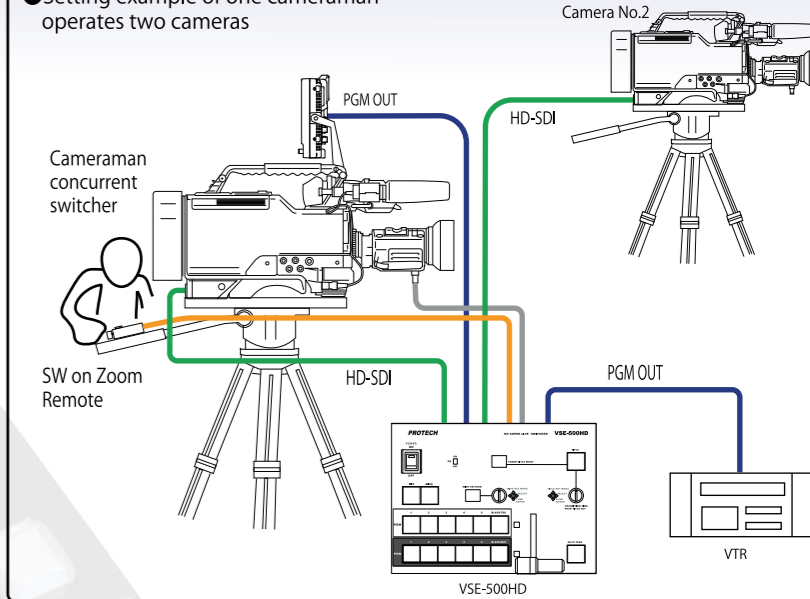
Compact & simple operation  
 Built-in frame synchronizer  
 One man two camera option  
 Monitor preview function



### VSE-500HD



● Setting example of one cameraman operates two cameras

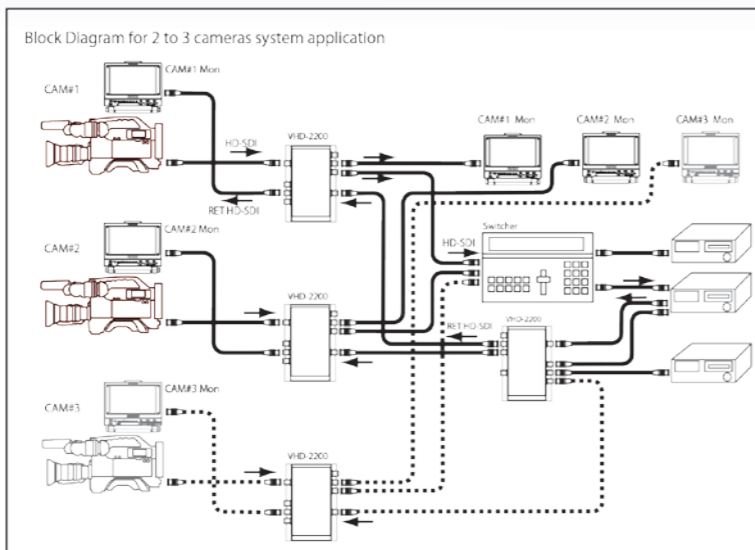
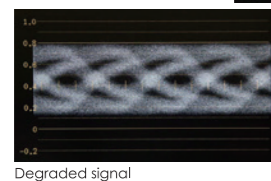
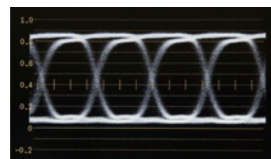


# Dual Channel 3G/HD-SDI Reclocker

## VHD-2200



- 3G/HD/SD-SDI signal cable loss compensation
- Individual and simultaneous reclocking
- Restoring signal up to original level
- 2 Channel signal distribution
- LED input indicators



# DC Splitter

Up to 3 simultaneous power supply for Handheld camcorders and Memory recorders

- Securing the power supply
- Simultaneous mobile phone charging
- Built-in V-mount plate
- DC 12V input
- XLR-4pin 12V x2 outputs
- Mini-4pin 12V-8.4V x3 outputs
- D-tap 12V x1 output
- USB 5V x4 outputs

## WAKE-1



# UPS Unit

- Unexpected power disconnection protection
- V-mount battery connector
- Simultaneous power supply from 4 connectors
- Backup function - power transformer
- Power input indicator

## UPS-10

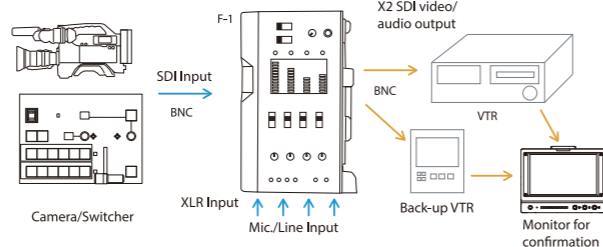


## F-1



# Audio Embedder

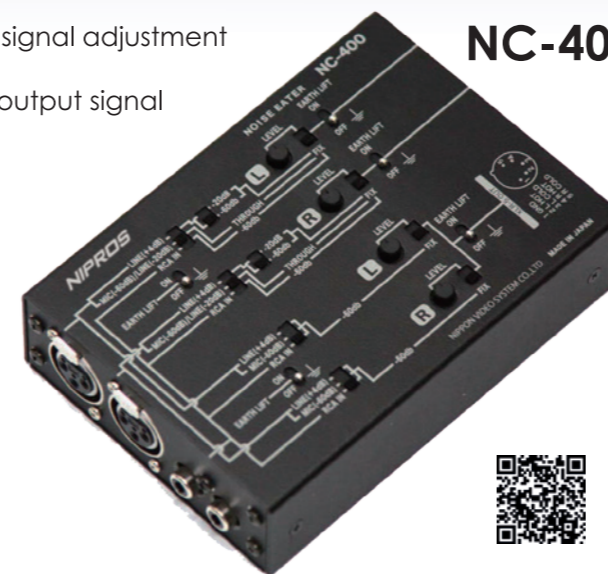
- 4 Ch. Analog audio signal individual inserting
- Time Code output
- Delay adjustment (0 - 3 frames)
- Audio bar meters for each channel
- Up to 16 channels audio embedding with 4x F-1 units
- Built-in hyper limiter for each channel
- XLR Mic. /Line level input



# Noise Eater

- Ground noise cancellation or reduction
- Input signal adjustment
- Multi output signal

## NC-400



# LED CamLight

- Tangsten Light 3200K
- Day Light 5600K
- Individual Control



## UC-600



# HD-SDI Distributor

## VHD-5000

4 x 1 Input  
4 Output



## VHD-400

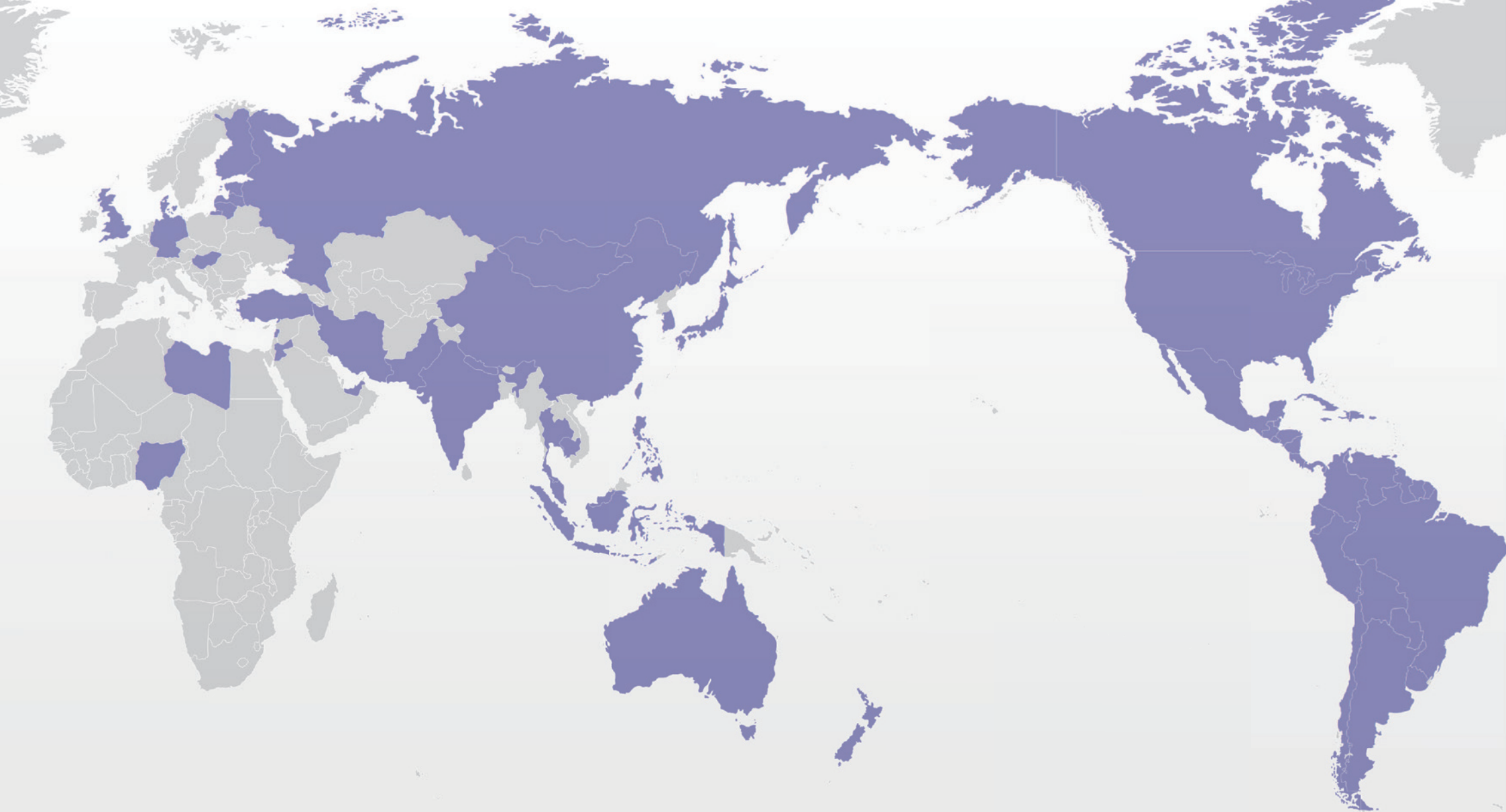
1 Input  
4 Output



## VHD-200

1 Input  
2 Output





# **NIPROS™**

(C) Nippon Video System Co. Ltd. All rights reserved.  
Features and specifications are subject to change without notice.  
HDMI is a trademark of HDMI Licensing, LLC.  
"NIPROS" is an international brand name of "PROTECH" product.

<http://protech-nipros.com>



Syntex Bratislava s.r.o.  
Železničná 23, 82107 Bratislava, SK  
02/4552 5471, 3214 4496  
[info@syntex.sk](mailto:info@syntex.sk)  
[www.syntex.sk](http://www.syntex.sk)

Syntex Praha s.r.o.  
Michelská 21, 14000 Praha 4 - Michle, CZ  
+420 241 482 662  
[info@syntex.cz](mailto:info@syntex.cz)  
[www.syntex.cz](http://www.syntex.cz)